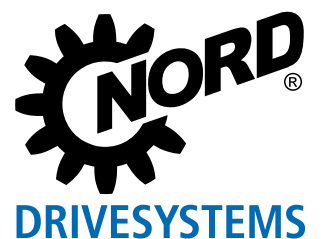


**MAXXDRIIVE® XT**  
**Right-angle gear unit**  
Industrial gear units



# NORD DRIVESYSTEMS Gruppe



Industrial gear units



Geared motors



Frequency inverters and motor starters

- ▶ Headquarters and technology centre in Bargteheide near Hamburg.
- ▶ Innovative drive solutions for more than 100 branches of industry.
- ▶ 7 production locations with cutting edge technology produce gear units, motors, VFDs, and more to provide complete drive systems from a single source.
- ▶ NORD has 48 subsidiaries in 36 countries and further sales partners in more than 50 countries, provide local inventory, assembly, technical support, and industry-leading customer service.
- ▶ More than 4,100 employees throughout the world create customized solutions.



Headquarters in Bargteheide



Gear unit production



Inverter production



Motor production



Production and assembly



Motor mounting



Reliable drive units with maximum thermal and mechanical load capacities with greatly increased bearing life are necessary in material handling technology for transporting bulk materials.

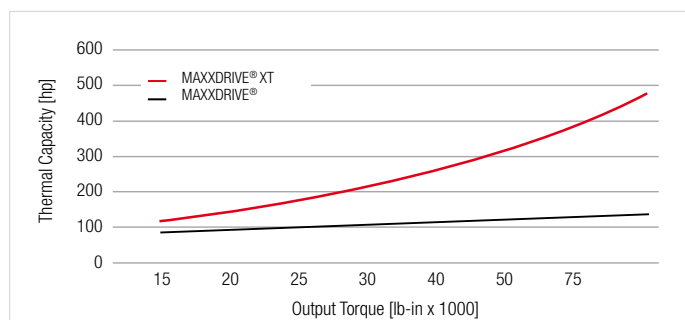
With its latest product, the MAXXDRIVE® XTgear unit series, NORD DRIVESYSTEMS has launched a high performance drive system that uniquely meets all of these requirements.

## Characteristics / Performance

- ▶ Maximum thermal rating for high-speed applications
- ▶ Large axial fan and optimized cooling air flow
- ▶ Increased housing surface for effective heat transmission
- ▶ No external cooling required
- ▶ Externally accessible backstop
- ▶ Variable installation / mirror image design
- ▶ Universal, symmetrical housing

## Ultimate Thermal Rating

To achieve the maximum thermal load capacity, the perfect contour of the gear unit housing was developed with the aid of CFD analysis. The air flow of the integrated axial fan was optimized to achieve a highly efficient cooling effect.



## Available sizes and speed ratios

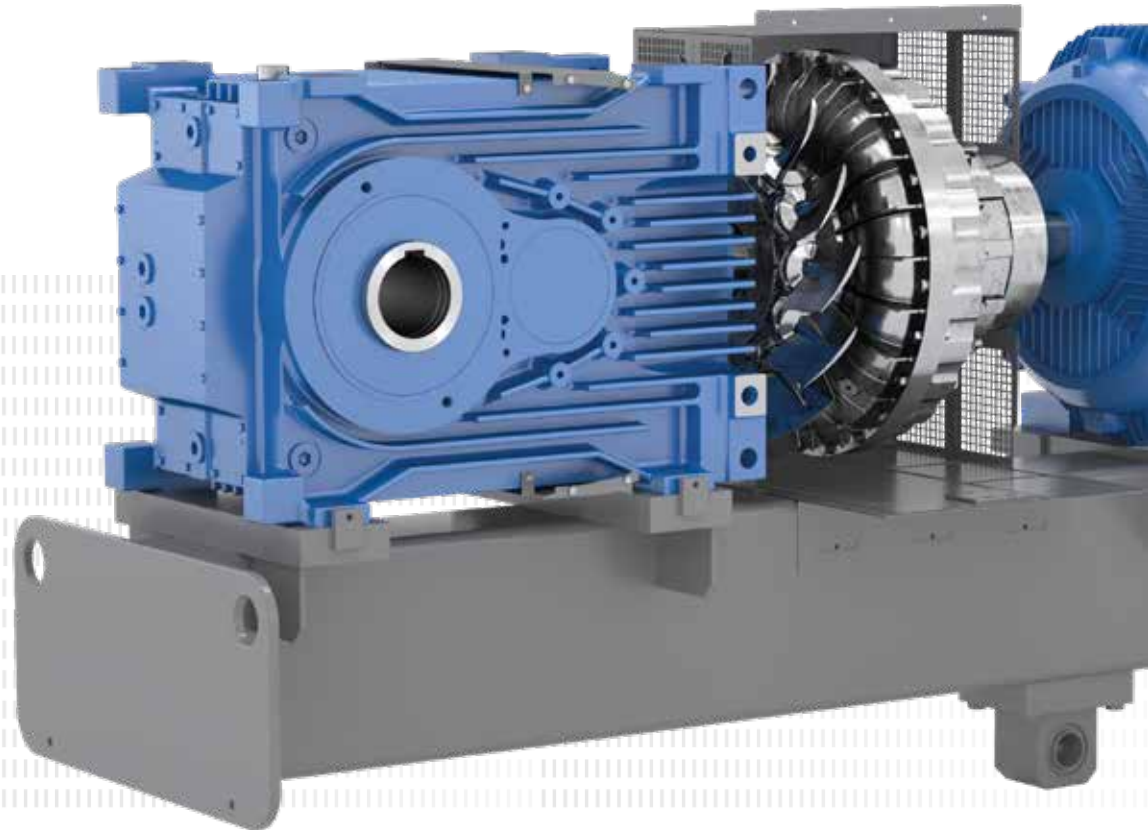
Type	Ratio range [-]	Torque Max. [lb-in x 1000]	Thermal Rating [hp] *	Hollow Shaft d [mm]	Solid Shaft d [mm]
SK 5217	6.3 – 22.4	133	max. 465	105	120
SK 6217	6.3 – 22.4	177	max. 589	105	120
SK 7217	6.3 – 18.0	221	max. 661	125	140
SK 8217	6.3 – 20.0	266	max. 770	125	140
SK 9217	6.3 – 18.0	354	max. 726	160	160
SK 10217	6.3 – 18.0	443	max. 1112	160	160
SK 11217	7.1 – 22.4	664	max. 1176	170	170

\* max. rating at 1500 rpm and 68°F ambient

# MAXXDRIVE® XT Right-angle gear unit

## MAXXDRIVE® XT product options:

- ▶ Integrated axial fan with protective cover on the input shaft
- ▶ Foot mounted version (solid output shaft)
- ▶ Flange version (output flange)
- ▶ Shaft mount (keyed hollow output shaft or shrink disc)
- ▶ Fixing element, protective cover, torque support
- ▶ Externally accessible integral backstop
- ▶ Monitoring sensors (temperature, vibration, speed, oil level, etc.)
- ▶ Auxiliary drive (inching drive)
- ▶ IEC/NEMA adapter
- ▶ Oil heater



### Housing

- ▶ Rugged UNICASE™ housing ensures optimal strength and rigidity
- ▶ Increased housing surface for efficient heat transfer
- ▶ High-precision housing machining
- ▶ High-precision shaft bearings



### Gearing

- ▶ Developed according to international standards
- ▶ Case-hardened and hard finished
- ▶ In-house quality production
- ▶ Quiet operation



## Complete drive system package

Fully assembled and aligned, including protective covers and monitoring systems



## Options



Drive coupling types



IEC/NEMA adapter



Output shafts



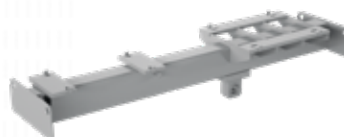
Backstop



Brake types



Auxiliary drive unit

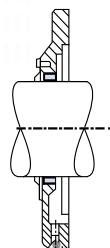


Base frame/motor rocker

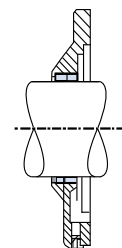


Motor

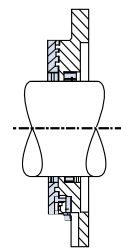
## Sealing systems



Standard Input  
(One sealing ring and one gamma ring seal)



Standard Output  
(Two shaft sealing rings)



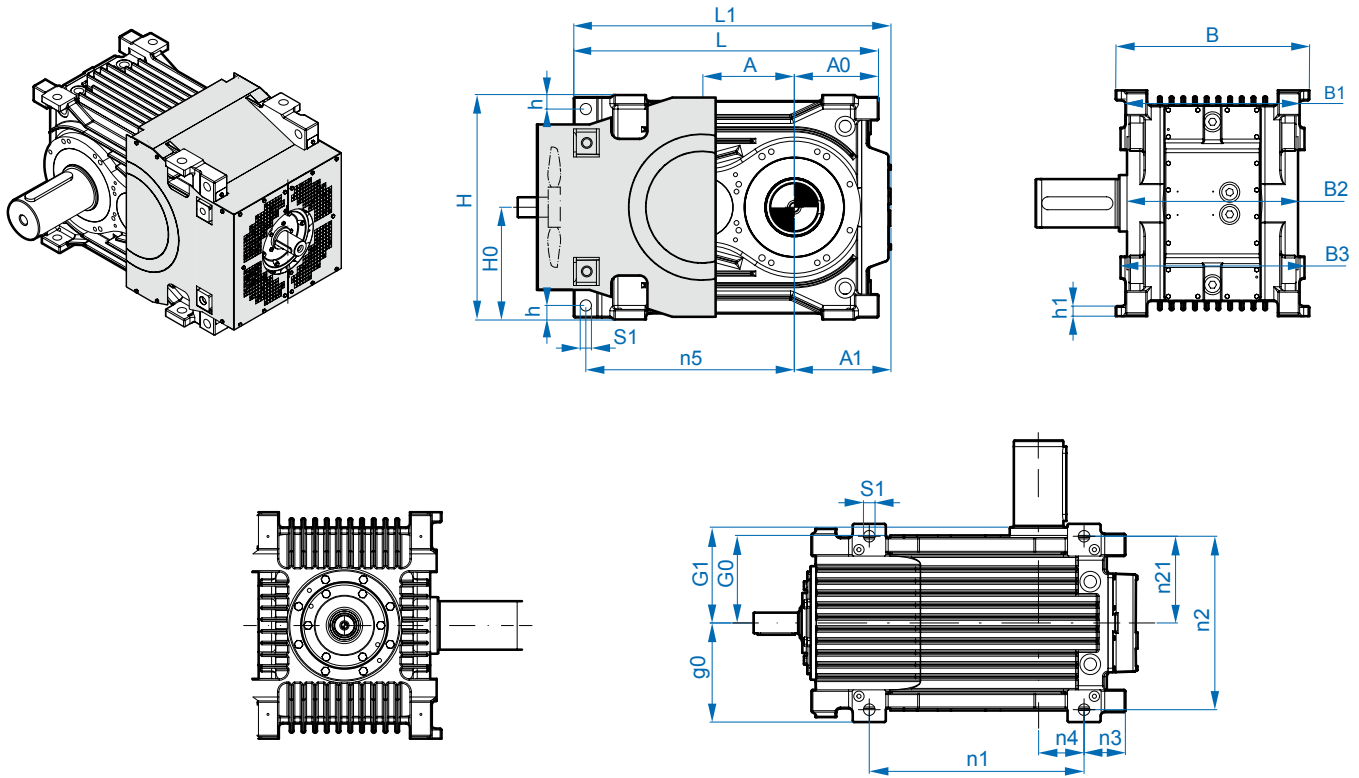
Taconite F  
Input / Output  
(Grease-lubricated labyrinth seal, re-greaseable)



## Roller bearings

- ▶ High quality roller bearings from brand manufacturers
- ▶ Reduced friction roller bearings
- ▶ Long-life roller bearings

# MAXXDRIVE® XT Right-angle gear unit

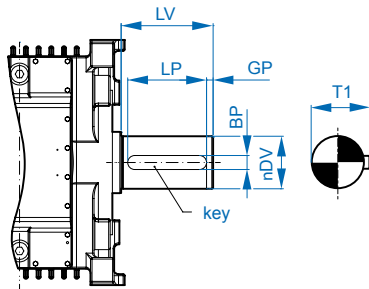


## Overall dimensions

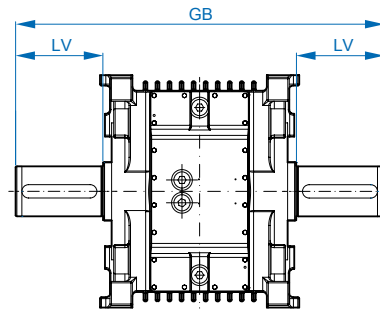
Type	A	A1	A0	g0	G0	G1	h	h1	H	H0	L	L1	B	B1	B2	B3
SK 5217	228	239.5	210	240	216	232	35	25	560	280	760	790	480	432	424	456
SK 6217	268	270	260	240	216	232	35	30	630	315	850	860	480	432	424	456
SK 7217	270	275.5	267	260	241	273	35	35	630	315	912	921	520	482	495	520
SK 8217	294	291.5	283	260	241	273	35	35	670	335	952	961	520	482	495	520
SK 9217	325	321	330	318	303	344	55	45	720	360	1120	1111	636	606	605	620
SK 10217	358	337	352	318	303	343	55	45	790	395	1235	1220	636	606	605	620
SK 11217	384	371.5	366	393	378	410	46	55	830	415	1340	1346	786	710	700	770

## Holes/hole spacings

Type	S1	n1	n2	n21	n3	n4	n5
SK 5217	28	520	420	210	100	110	520
SK 6217	28	585	420	210	122,5	137,5	560
SK 7217	28	640	470	235	127	140	611
SK 8217	28	685	470	235	125	158	635
SK 9217	35	790	575	287.5	155	175	742.5
SK 10217	35	875	575	287.5	177	175	830.5
SK 11217	42	965	700	350	186	180	933

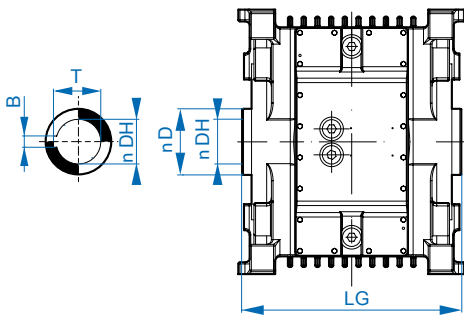


Solid output shaft

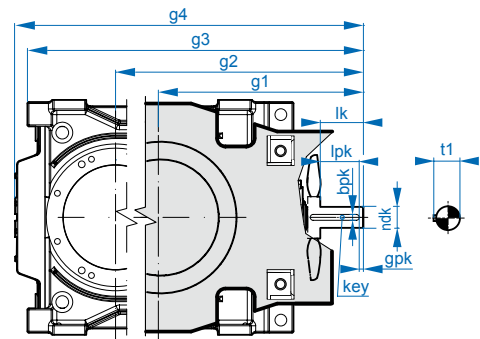


Double solid output shaft

Hollow shaft



Solid input shaft



### Solid output shaft

Type	$\emptyset$ DV	LV	LP	BP	GP	T1	Parallel key
SK 5217	120	210	180	32	15	127	32 x 18 x 180
SK 6217	120	210	180	32	15	127	32 x 18 x 180
SK 7217	140	250	200	36	25	148	36 x 20 x 200
SK 8217	140	250	200	36	25	148	36 x 20 x 200
SK 9217	160	300	260	40	20	169	40 x 22 x 260
SK 10217	160	300	260	40	20	169	40 x 22 x 260
SK 11217	170	300	260	40	20	179	40 x 22 x 260

### Double solid output shaft

LV	GB
210	884
210	884
250	1045
250	1045
300	1286
300	1286
300	1420

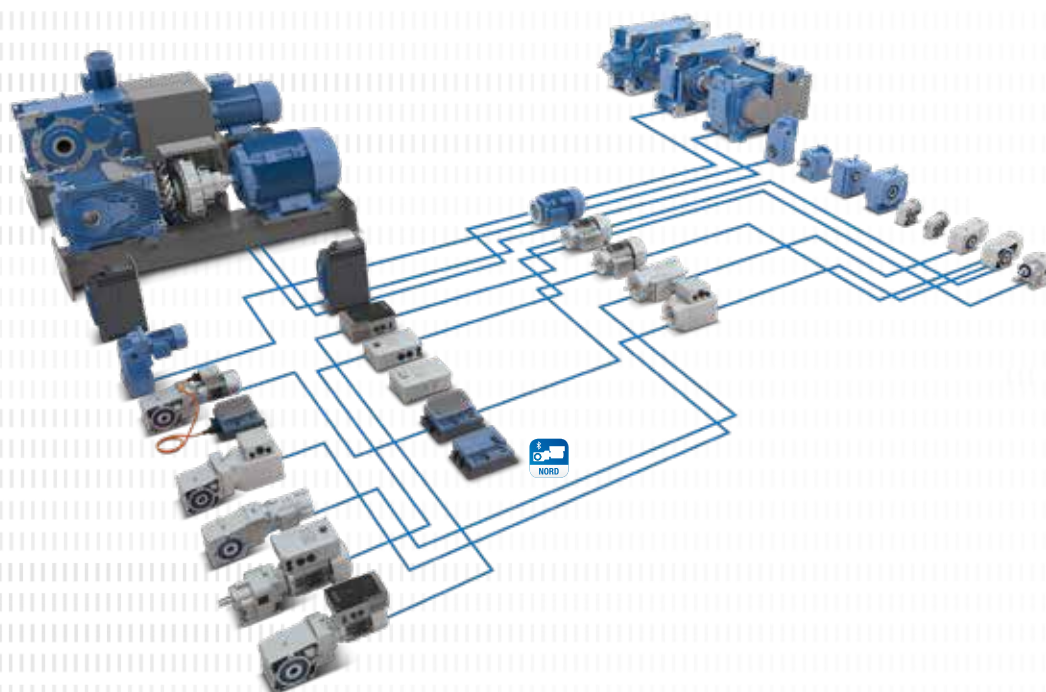
### Hollow shaft

$\emptyset$ D	$\emptyset$ DH <sup>H7</sup>	LG	B	T
140	105	464	28	111.4
140	105	464	28	111.4
160	125	545	32	132.4
160	125	545	32	132.4
220	160	686	40	169.4
220	160	686	40	169.4
230	170	820	40	179.4

### Solid input shaft

Type	$i_N$	$g^1$	$g^2$	$g^3$	$g^4$	$\emptyset$ dk	$l_k$	$l_{pk}$	$b_{pk}$	$t_1$	$g_{pk}$	Parallel key
SK 5217	6.14 – 22.91	462	690	900	929.5	50	74	64.0	14	53.5	10.0	14 x 9 x 90
SK 6217	6.15 – 22.50	462	730	990	1000.0	50	74	64.0	14	53.5	10.0	14 x 9 x 90
SK 7217	16.06 – 17.94 6.37 – 13.20	534 564	836	1101	1111.05	50 70	55 85	45.0 77.5	20	53.5	10.0 7.5	14 x 9 x 90
SK 8217	15.86 – 20.44 6.30 – 13.33	536 566	860	1143	1151.5	50 70	55 85	45.0 77.5	20	53.5	10.0 7.5	20 x 12 x 125
SK 9217	16.18 – 18.14 6.42 – 13.47	652 682	1006	1337	1320.0	70 80	91 121	83.5 106	22	85.0	7.5 15.0	22 x 14 x 140
SK 10217	15.76 – 18.17 6.26 – 13.74	712 742	1070	1452	1407.0	70 80	91 121	83.5 106	22	85.0	7.5 15.0	22 x 14 x 140
SK 11217	16.84 – 18.44 6.69 – 13.35	822 852	1236	1602	1607.5	80 100	135 200	120 155	28	85.0	15.0	28 x 16 x 180

The modular system design of NORD DRIVESYSTEMS empowers users to create customized solutions to their exact requirements. From gear units to motors to drive electronics, each of the variants combines the highest product quality, short lead times, rapid delivery, and a strong price/performance ratio. As newest addition to MAXXDRIVE® series, the MAXXDRIVE® XT extends the existing product portfolio of industrial gear units with one optimized for high thermal capacity.



## NORD DRIVESYSTEMS Product portfolio

- ▶ Complex drive systems from modular components
- ▶ High availability, global production network
- ▶ Short delivery times for stock components and spare parts
- ▶ Highest product quality at all locations
- ▶ ATEX version also available
- ▶ myNORD customer portal for online configuration, pricing, quoting & ordering
- ▶ 24/7 dependable partner for engineering, production, installation and service

### US

Headquarters  
NORD Gear Corporation  
800 NORD Drive  
Waunakee, WI 53597  
T: 888 314 6673  
info.us@nord.com

### CA

NORD Gear Limited  
41 West Drive  
Brampton, ON L6T4A1  
T: 800 668 4378  
info.ca@nord.com

### MX

NORD DRIVE SYSTEMS SA DE CV  
Av. Industria Textil B.6  
Parque Industrial PYME, Huimilpan  
QRO - Mexico 76950  
T: 52 442 688 7110  
info.mx@nord.com

© 2020 NORD Gear Corporation.  
All rights reserved. UNICASE is a trademark  
of NORD DRIVESYSTEMS and MAXXDRIVE is  
a registered trademark of NORD Gear Corporation.